

**Item Number**  
RAM-VB-127

**RAM No-Drill™ Seat Bases**  
National Products, Inc.

## Vehicle base for the Dodge RAM 1500 (1994-2001)

### SPECIFICATIONS

**Placement**

Across Transmission hump

**Drilling Required**

No - uses existing seat bolts

**Seat Configuration**

Bucket/Bench

**Pole or Pedestal**

Purchased Separately

**Construction/Finish**

Steel/Black Powdercoat

**Weight**

5.5 lbs.

**Dimensions**

A = 18.5", B = 10", C = 4.5"

Hole Center = 23.75" and 24.25"



Shown In Use

### Features

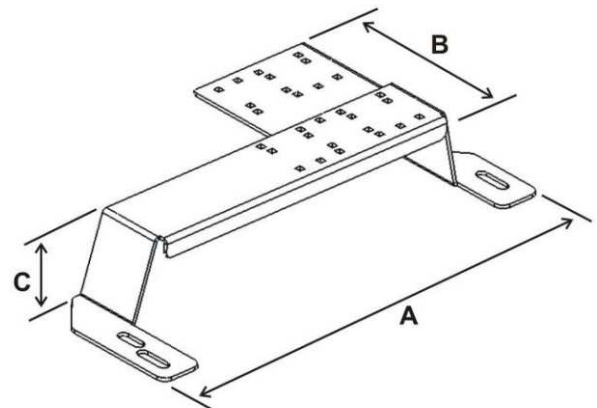
Installs in minutes with no drilling required

### Misc.

Rugged steel construction

Lifetime warranty

Drilling may be required for vehicles with a bench seat



RAM-VB-127

National Products, Inc.  
Phone: 206-763-8361  
Fax: 206-763-9615  
Address: 1205 S Orr St  
Seattle, WA 98108  
Website: [www.ram-mount.com](http://www.ram-mount.com)  
Email: [staff@ram-mount.com](mailto:staff@ram-mount.com)



**Item Number**  
RAM-VB-127

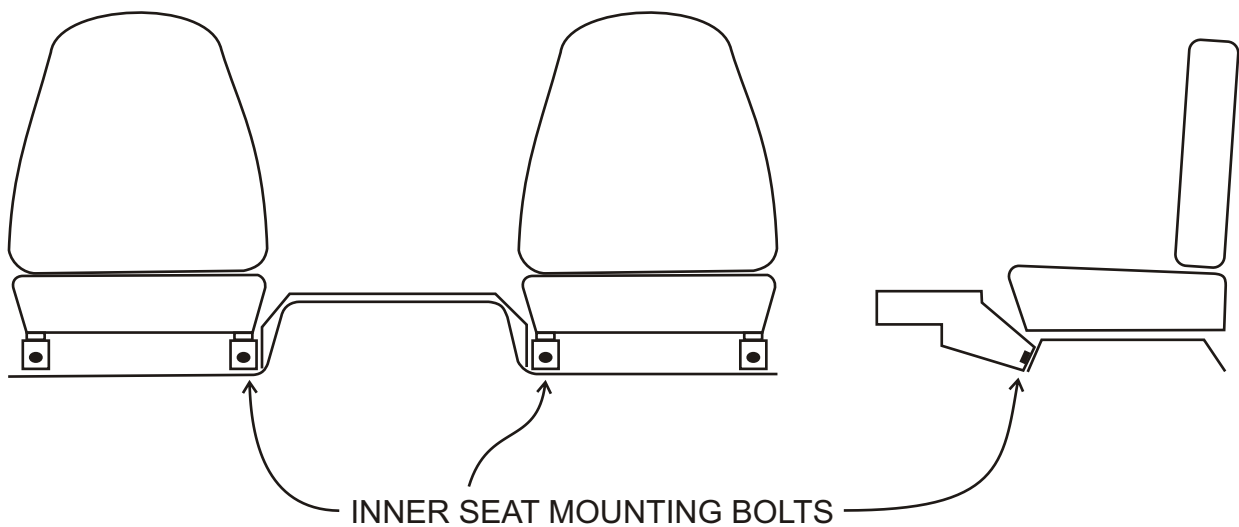
**RAM No-Drill™ Seat Bases**  
National Products, Inc.

## Vehicle base for the Dodge RAM 1500 (1994-2001)

### INSTALLATION INSTRUCTIONS

Before installation, attach extension plate to the bottom of the base with the provided hardware.

1. Place both front seats in their most rear position.
2. Remove the drivers side front right and the passenger side front left seat mounting bolts (inner seat bolts).
3. Slightly lift both the passenger and driver seats and slide the No-Drill™ base between the floor of the vehicle and the bottom of the seat.
4. Align the holes and reinstall all of the seat bolts that have been removed.



National Products, Inc.  
Phone: 206-763-8361  
Fax: 206-763-9615  
Address: 1205 S Orr St  
Seattle, WA 98108  
Website: [www.ram-mount.com](http://www.ram-mount.com)  
Email: [staff@ram-mount.com](mailto:staff@ram-mount.com)

