

Item Number _____

RAM-VB-138 & RAM-VB-138-SW1

RAM No-Drill™ Seat Bases

National Products, Inc.

**Vehicle base for the
TOYOTA 4RUNNER (2005-2011)
TOYOTA TACOMA (2005-2011)**

SPECIFICATIONS

Placement

Passenger side on the floor, under front seat

Drilling Required

No - uses existing seat bolts

Seat Configuration

Bucket

Pole or Pedestal

Sold Separately

Construction/Finish

Steel/Black Powdercoat

Weight

7 lbs.

Dimensions

A = 17.125", B = 6.5", C = 5"

Hole Centers = 15.875"

Features

Installs in minutes with no drilling required
Low profile keeps mount away from passenger leg space

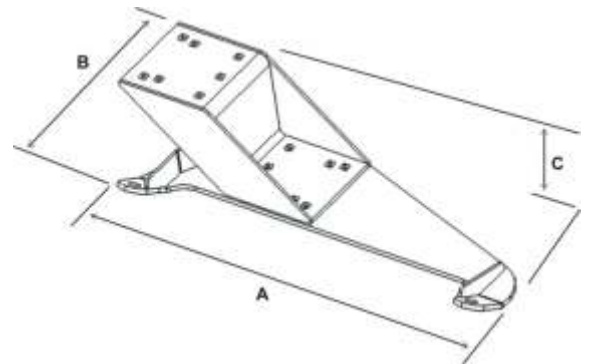
Notes

The RAM-VB-138 will not fit BENCH SEAT MODEL TRUCKS

National Products, Inc.
Phone: 206-763-8361
Fax: 206-763-9615
Address: 1205 S Orr St
Seattle, WA 98108
Website: www.ram-mount.com
Email: staff@ram-mount.com



Product Number:
RAM-VB-138-SW1



Product Number:
RAM-VB-138



Item Number _____

RAM-VB-138 & RAM-VB-138-SW1

RAM No-Drill™ Seat Bases

National Products, Inc.

Vehicle base for the
TOYOTA 4RUNNER (2005-2011)
TOYOTA TACOMA (2005-2011)

INSTALLATION INSTRUCTIONS

1. Move the passenger seat back to its rearmost position and remove the front seat rail bolts on the passenger side.
2. Without moving the seat, place the No-Drill™ base over the front of the seat frame legs.
3. Align the holes in the base with those of the seat frame legs. The pedestal platform should be near the console.
4. Re-install the seat bolts and fully tighten.

National Products, Inc.
Phone: 206-763-8361
Fax: 206-763-9615
Address: 1205 S Orr St
Seattle, WA 98108
Website: www.ram-mount.com
Email: staff@ram-mount.com

