

Item Number
RAM-VB-138ST1

RAM No-Drill™ Seat Bases

National Products, Inc.

**Vehicle base for the
TOYOTA FJ CRUISER (2006-2009)**

SPECIFICATIONS

Placement

Passenger side on the floor, under front seat

Drilling Required

No - uses existing seat bolts

Seat Configuration

Bucket

Construction/Finish

Steel/Black Powdercoat

Pole or Pedestal

Sold Separately

Dimensions

A = 17.125", B = 6.5", C = 5"
Hole Centers = 15.875"

Weight 7.0 lbs.

Features

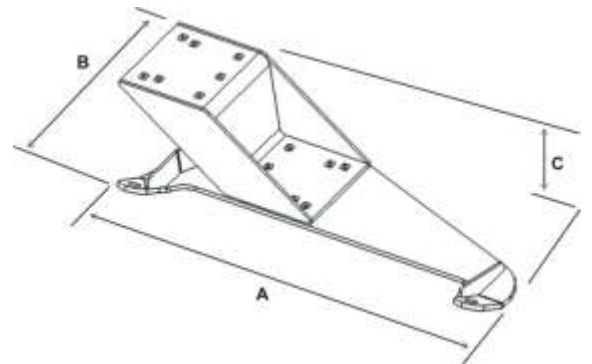
Installs in minutes with no drilling required
Low profile keeps mount away from passenger leg space

Notes

The RAM-VB-138ST1 will not fit BENCH SEAT MODEL TRUCKS



Shown In Use



RAM-VB-138ST1

National Products, Inc.
Phone: 206-763-8361
Fax: 206-763-9615
Address: 1205 S Orr St
Seattle, WA 98108
Website: www.ram-mount.com
Email: staff@ram-mount.com



Item Number
RAM-VB-138ST1

RAM No-Drill™ Seat Bases
National Products, Inc.

**Vehicle base for the
TOYOTA FJ CRUISER (2006-2009)**

INSTALLATION INSTRUCTIONS

1. Attaching the fixed Adjust-A-Pole™ to the No-Drill™ base should be done prior to attaching the base to the vehicle. For a finished look, assemble so the rounded heads of the carriage bolts are on top.
2. Move the passenger seat back to its rearmost position and remove the front seat rail bolts using a 14mm socket wrench. Save and store these bolts should the mount be later removed.
3. Using the provided hardware, place the washers over the longer bolts, pass the bolts through the No-Drill™ base, next through the round stand-offs, and align over the threaded holes in the floor board.
4. Start bolts by hand to insure that the bolts do not cross thread
5. Using a 17mm socket wrench, fully tighten the bolts to secure the base.
6. After a day of use, re-tighten the seat bolts holding the mount.

National Products, Inc.
Phone: 206-763-8361
Fax: 206-763-9615
Address: 1205 S Orr St
Seattle, WA 98108
Website: www.ram-mount.com
Email: staff@ram-mount.com

