

**Item Number**  
RAM-VB-168

# RAM No-Drill™ Seat Bases

National Products, Inc.

**Vehicle base for the  
Freightliner, International, Kenworth, Peterbilt,  
and Volvo Trucks**

## SPECIFICATIONS

### Placement

Passenger side on the floor, between seat cushion & seat

### Drilling Required

No - uses existing seat bolts

### Seat Configuration

Bucket/Bench

### Construction/Finish

Steel/Black Powdercoat

### Pole or Pedestal

Purchased Separately

### Weight

10.85 lbs.

### Dimensions

A = 19.56", B = 14.37", C = 1.18"

## Features

Installs in minutes with no drilling required  
Won't interfere with passenger leg space

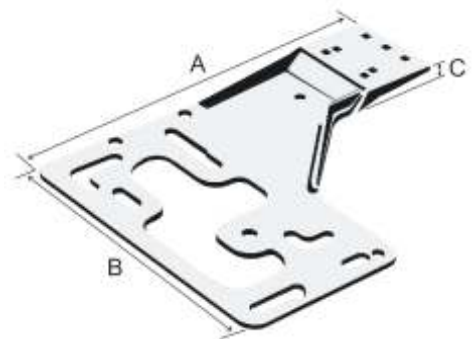
## Misc.

Rock solid construction  
Lifetime warranty  
Will not fit Bostrom Seating seats

National Products, Inc.  
Phone: 206-763-8361  
Fax: 206-763-9615  
Address: 1205 S Orr St  
Seattle, WA 98108  
Website: [www.ram-mount.com](http://www.ram-mount.com)  
Email: [staff@ram-mount.com](mailto:staff@ram-mount.com)



Shown In Use



RAM-VB-168



**Item Number**  
RAM-VB-168

**RAM No-Drill™ Seat Bases**  
National Products, Inc.

## **Vehicle base for the Freightliner, International, Kenworth, Peterbilt, and Volvo Trucks**

### **INSTALLATION INSTRUCTIONS**

1. Depending on vehicle make and model, remove either the nuts or bolt holding the passenger side seat to the cab floor and set these aside.
2. Remove the seat from the installation area.
3. Place the No Drill™ base over the holes or mounting studs that are now accessible on the cab floor. Note that the platform for the pedestal should be positioned to the inside rear of the passenger seat when completed. This will put the pedestal between the passenger and drivers seat upon completion.
4. Replace the passenger side seat by sitting it over the top of the No Drill™ base making sure that the studs or holes in the seat frame, No Drill™ base, and floor board are aligned.
5. Re-install the factory nuts or bolts and securely fasten.

National Products, Inc.  
Phone: 206-763-8361  
Fax: 206-763-9615  
Address: 1205 S Orr St  
Seattle, WA 98108  
Website: [www.ram-mount.com](http://www.ram-mount.com)  
Email: [staff@ram-mount.com](mailto:staff@ram-mount.com)

