

Item Number
RAM-VB-170

RAM No-Drill™ Seat Bases

National Products, Inc.

Vehicle base for the

JEEP WRANGLER 2 DR (2007-2010)
JEEP WRANGLER 4 DR (2007-2010)
JEEP WRANGLER SAHARA 2 DR (2007-2010)
JEEP WRANGLER SAHARA 4 DR (2007-2010)
JEEP WRANGLER RUBICON 2 DR (2007-2010)
JEEP WRANGLER RUBICON 4 DR (2007-2010)

SPECIFICATIONS

Placement

Passenger side on the floor, under front seat

Drilling Required

No - uses existing seat bolts

Seat Configuration

Bucket

Pole or Pedestal

Sold Separately

Construction/Finish

Steel/Black Powdercoat

Weight

N/A

Dimensions

A = 15.25", B = 6.43", C = 2.84"
Hole Center = 11.50"

Features

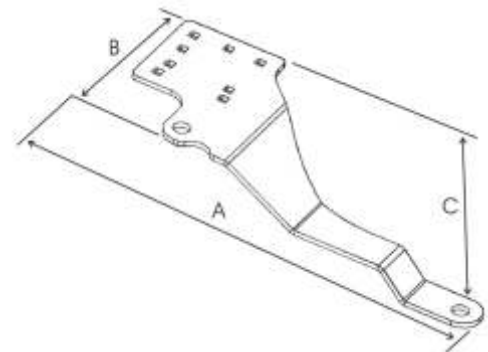
Installs in minutes with no drilling required
Low profile keeps mount away from passenger leg space

Misc.

Rock solid construction
Lifetime warranty



Shown In Use



RAM-VB-170

National Products, Inc.
Phone: 206-763-8361
Fax: 206-763-9615
Address: 1205 S Orr St
Seattle, WA 98108
Website: www.ram-mount.com
Email: staff@ram-mount.com



Item Number
RAM-VB-170

RAM No-Drill™ Seat Bases

National Products, Inc.

Vehicle base for the

JEEP WRANGLER 2 DR (2007-2010)
JEEP WRANGLER 4 DR (2007-2010)
JEEP WRANGLER SAHARA 2 DR (2007-2010)
JEEP WRANGLER SAHARA 4 DR (2007-2010)
JEEP WRANGLER RUBICON 2 DR (2007-2010)
JEEP WRANGLER RUBICON 4 DR (2007-2010)

INSTALLATION INSTRUCTIONS

1. Locate and remove the two front seat rail bolts holding the passenger side seat to the floor board.
2. Place the No-Drill™ base over the inner most seat frame leg and under the outer most seat frame leg nearest the door.
3. Align the holes in the base with those of the seat frame legs.
4. Replace the two bolts and fully tighten.
5. After a week of use or a day of off road use, check seat leg bolts and retighten if necessary.



National Products, Inc.
Phone: 206-763-8361
Fax: 206-763-9615
Address: 1205 S Orr St
Seattle, WA 98108
Website: www.ram-mount.com
Email: staff@ram-mount.com

