

Item Number
RAM-VB-104

RAM No-Drill™ Seat Bases

National Products, Inc.

Vehicle base for the
Dodge Ram 1500 (2002-2008)
Dodge Ram 2500/3500 (2003-2008)

SPECIFICATIONS

Placement

Passenger side on the floor, in front of seat

Drilling Required

No - uses existing seat bolts

Seat Configuration

Bucket/Bench

Construction/Finish

Steel/Black Powdercoat

Dimensions

A = 16", B = 5", C = 5.5"
Hole Center = 13"

Pole or Pedestal

Ordered Separately

Weight

10.7 lbs.

Tools required for base installation

15mm socket, 15mm box end wrench. Tools for complete system assembly: pliers, phillips screw driver, #10, 1/2", 9/16" box end wrench's.

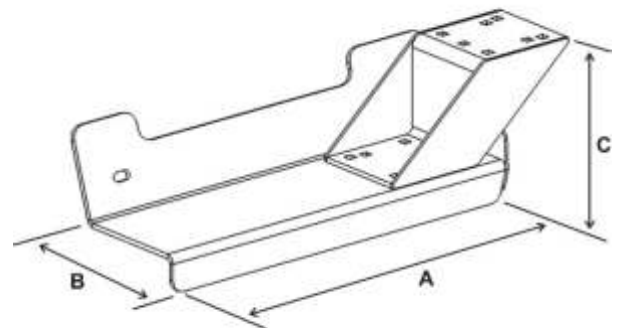
Notes.

This base will not interfere with factory installed console or 4WD lever. One 4" riser is included with this vehicle base. Riser allows optimized placement of mount with a minimal amount of intrusion of passenger leg space. This base will not fit trucks with power take-off (PTO) on the transmission. If your vehicle has the PTO accessory on the transmission, you will need the RAM-VB-178.

National Products, Inc.
Phone: 206-763-8361
Fax: 206-763-9615
Address: 8410 Dallas Ave S
Seattle, WA 98108
Website: www.ram-mount.com
Email: staff@ram-mount.com



Complete system shown in use



RAM-VB-104, SHOWN WITH RAM-VB-SB4 RISER (INCLUDED)



Item Number
RAM-VB-104

RAM No-Drill™ Seat Bases

National Products, Inc.

Vehicle base for the
Dodge Ram 1500 (2002-2008)
Dodge Ram 2500/3500 (2003-2008)

INSTALLATION INSTRUCTIONS

1. If using the riser, attach the RAM-VB-SB4 riser to base with the provided carriage bolts, washers, and nuts. The ½" box end wrench is used to tighten the nuts as part of the riser hardware.
2. Move the passenger seat to the rearmost setting.
3. Remove the front seat rail bolts that fasten the passenger seat brackets to the vehicle floor. Use the 15mm socket to remove the seat leg bolts holding the passenger side seat frame to the floor board.
4. Without moving the seat, place the base over the front of the seat legs and align the holes in the base and legs.
5. Re-install the seat bolts starting the thread by hand. After the bolts have been started, use the 15mm socket and torque bolts to 39 ft lbs.

Note: It may be necessary to put the inside seat bolt through the No-Drill™ base prior to attaching the riser. Once assembled, place the no drill base over the seat frame leg holes and start the inside bolt by hand, then the outer seat bolt by hand. Use a box end wrench to fully tighten the inside bolt and a socket for the outer seat bolt.

National Products, Inc.
Phone: 206-763-8361
Fax: 206-763-9615
Address: 8410 Dallas Ave S
Seattle, WA 98108
Website: www.ram-mount.com
Email: staff@ram-mount.com

