

**Item Number** \_\_\_\_\_

RAM-VB-114 & RAM-VB-114-SW1

# RAM No-Drill™ Seat Bases

National Products, Inc.

**Vehicle base for the  
CHEVROLET TRAILBLAZER (2002-2011)  
GMC ENVOY (2002-2011)**

## SPECIFICATIONS

**Placement**

Passenger side floor board, under seat

**Seat Configuration**

Bucket

**Construction/Finish**

Steel/Black Powdercoat

**Dimensions**

A = 5.5", B = 6.13", C = 18.75"

Hole Center = 14"

**Pole or Pedestal**

Purchased Separately

**Weight**

6 lbs.

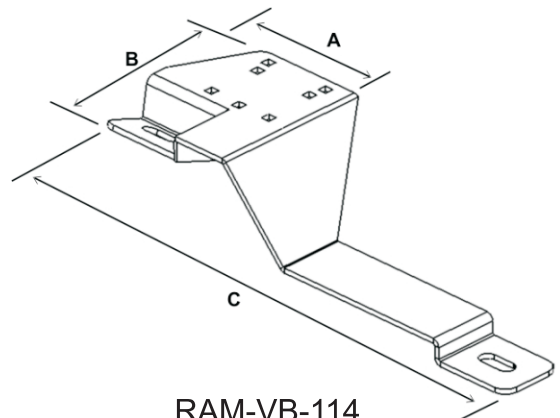
**Features**

Installs in minutes with no drilling required  
Base preserves passenger leg room

**Misc.**



RAM-VB-114-SW1



RAM-VB-114

National Products, Inc.  
Phone: 206-763-8361  
Fax: 206-763-9615  
Address: 1205 S Orr St  
Seattle, WA 98108  
Website: [www.ram-mount.com](http://www.ram-mount.com)  
Email: [staff@ram-mount.com](mailto:staff@ram-mount.com)



**Item Number** \_\_\_\_\_

RAM-VB-114 &amp; RAM-VB-114-SW1

**RAM No-Drill™ Seat Bases**

National Products, Inc.

**Vehicle base for the**  
**CHEVROLET TRAILBLAZER (2002-2011)**  
**GMC ENVOY (2002-2011)**

**INSTALLATION INSTRUCTIONS**

1. Move the passenger seat back to its rearmost position and remove the front seat rail bolts on the passenger side.
2. Without moving the seat, place the No-Drill™ base over the front of the seat frame legs.
3. Align the holes in the base with those of the seat frame legs. The pedestal platform should be near the console.
4. Re-install the seat bolts and fully tighten.

National Products, Inc.  
Phone: 206-763-8361  
Fax: 206-763-9615  
Address: 1205 S Orr St  
Seattle, WA 98108  
Website: [www.ram-mount.com](http://www.ram-mount.com)  
Email: [staff@ram-mount.com](mailto:staff@ram-mount.com)

